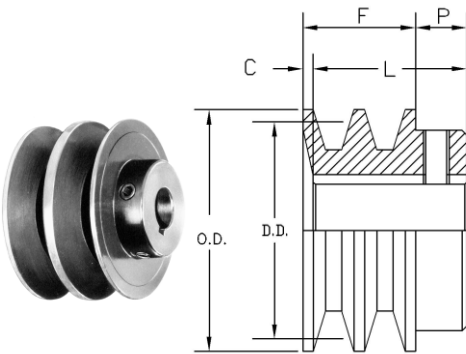




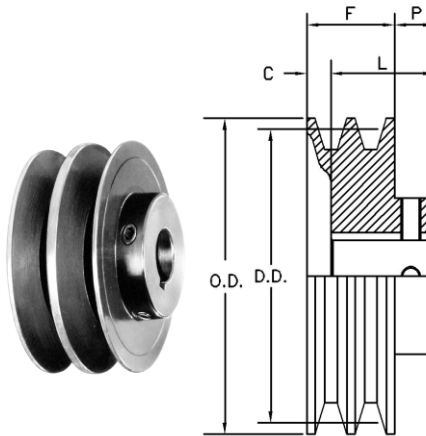
Hi-Q® cast iron sheaves-two groove for both "O" (3L) and "A" (4L) belts

STYLE 1



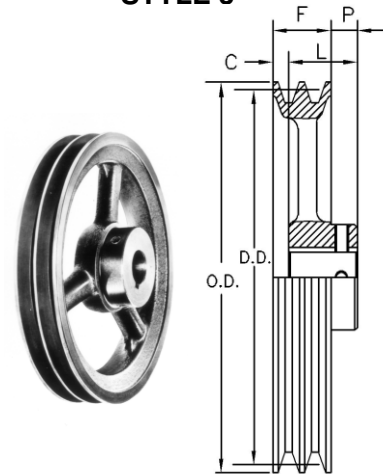
2AK20 - 2AK34

STYLE 2



2AK39 - 2AK51

STYLE 3



2AK54 - 2AK184

DIAMETERS IN INCHES			Part Number	Original Maurey Number	STOCK BORES MARKED "X" ^									DIMENSIONS IN INCHES				Overall Length Inches	Approx. Weight in LBS.
Outside	Datum "A" Belt	Datum "O" Belt			1/2	5/8	3/4	7/8	1	1-1/8	1-3/16	1-1/4	1-3/8	1-7/16	F	L	P		
2.00	1.7		2AK20	D2200	X	X	X	X						1-3/8	1-21/32	15/32	3/16	1-27/32	0.8
2.15	1.9	1.6	2AK21	---	X	X	X	X						1-3/8	1-21/32	15/32	3/16	1-27/32	0.9
2.25	2.0	1.7	2AK22	D2225	X	X	X	X	X					1-3/8	1-21/32	15/32	3/16	1-27/32	0.9
2.35	2.1	1.8	2AK23	---	X	X	X	X	X					1-3/8	1-21/32	15/32	3/16	1-27/32	1.1
2.45	2.2	1.9	D2250	---	X	X	X	X	X	X				1-3/8	1-11/16	7/16	0	1-11/16	1.4
2.55	2.3	2.0	2AK25	---	X	X	X	X	X					1-3/8	1-21/32	15/32	3/16	1-27/32	1.3
2.65	2.4	2.1	2AK26	---	X	X	X	X	X					1-3/8	1-21/32	15/32	3/16	1-27/32	1.4
2.75	2.5	2.2	2AK27	D2275	X	X	X	X	X	D2275**				1-3/8	1-21/32	15/32	3/16	1-27/32	1.5
2.85	2.6	2.3	2AK28	---	X	X	X	X	X					1-3/8	1-21/32	15/32	3/16	1-27/32	1.8
2.95	2.7	2.4	D2300	---	X	X	X	X	X	X				1-3/8	1-7/8	5/8	1/8	2	2.4
3.05	2.8	2.5	2AK30	---	X	X	X	X	X	X				1-3/8	1-21/32	15/32	3/16	1-27/32	1.8
3.25	3.0	2.7	2AK32	D2325	X	X	X	X	X	X				1-3/8	1-21/32	15/32	3/16	1-27/32	2.1
3.45	3.2	2.9	2AK34	D2350	X	X	X	X	X	X				1-3/8	1-21/32	15/32	3/16	1-27/32	2.3
3.75	3.5	3.2	2AK39	D2380	X	X	X	X	X	X				1-3/8	1-11/32	15/32	3/16	1-27/32	2.6
3.95	3.7	3.4	2AK41	D2400	X	X	X	X	X	X				1-3/8	1-11/32	15/32	1/2	1-27/32	2.9
4.25	4.0	3.7	2AK44	D2425		X	X	X	X	X				1-3/8	1-11/32	15/32	1/2	1-27/32	3.0
4.45	4.2	3.9	2AK46	D2450		X	X	X	X	X				1-3/8	1-11/32	15/32	1/2	1-27/32	3.1
4.75	4.5	4.2	2AK49	D2480		X	X	X	X	X				1-3/8	1-11/32	15/32	1/2	1-27/32	3.6
4.95	4.7	4.4	2AK51	D2500		X	X	X	X	X				1-3/8	1-11/32	15/32	1/2	1-27/32	3.8
5.25	5.0	4.7	2AK54	D2525		X	X	X	X	X				1-3/8	1-11/32	15/32	1/2	1-27/32	3.3
5.45	5.2	4.9	2AK56	D2550		X	X	X	X	X				1-3/8	1-11/32	15/32	1/2	1-27/32	3.4
5.75	5.5	5.2	2AK59	D2580			X	X	X	X	X			1-3/8	1-11/32	15/32	1/2	1-27/32	3.5
5.95	5.7	5.4	2AK61	D2600		X	X	X	X	X			X	1-3/8	1-11/32	15/32	1/2	1-27/32	3.6
6.25	6.0	5.7	2AK64	---			X	X	X	X				1-3/8	1-19/32	11/32	1/8	1-23/32	4.8
6.45	6.2	5.9	D2650	---			X	X	X	X				1-3/8	1-5/8	5/8	3/8	2	5.4
6.95	6.7	6.4	D2700	---			X	X	X	X				1-3/8	1-5/8	5/8	3/8	2	6.1
7.25	7.0	6.7	2AK74	D2725		X	X	X	X	X				1-3/8	1-19/32	11/32	1/8	1-23/32	5.6
7.95	7.7	7.4	D2800	---			X	X	X	X	X			1-3/8	1-5/8	5/8	3/8	2	6.7
8.25	8.0	7.7	2AK84	---			X	X	X	X	X			1-3/8	1-19/32	11/32	1/8	1-23/32	6.4
8.95	8.7	8.4	D2900	---			X	X	X	X	X			1-3/8	1-5/8	5/8	3/8	2	9.0
9.25	9.0	8.7	2AK94	D2925			X	X	X	X	X			1-3/8	1-19/32	11/32	1/8	1-23/32	7.3
9.95	9.7	9.4	D3100	---			X	X	X	X	X	X		1-3/8	1-5/8	5/8	3/8	2	9.9
10.25	10.0	9.7	2AK104	D3103			X	X	X	X	X	X		1-3/8	1-19/32	11/32	1/8	1-23/32	8.1
10.95	10.7	10.4	D3110	---			X	X	X	X	X	X		1-3/8	1-5/8	5/8	3/8	2	11.4
11.25	11.0	10.7	2AK114	---			X	X	X	X	X	X		1-3/8	1-19/32	11/32	1/8	1-23/32	9.0
11.95	11.7	11.4	D3120	---			X	X	X	X	X	X		1-3/8	1-5/8	5/8	3/8	2	11.6
12.25	12.0	11.7	2AK124	D3123			X	X	X	X	X	X		1-3/8	1-19/32	11/32	1/8	1-23/32	9.8
13.25	13.0	12.7	2AK134	---						X	X	X		1-3/8	1-19/32	11/32	1/8	1-23/32	12.3
14.25	14.0	13.7	2AK144	D3143					X	X	X	X		1-3/8	1-19/32	11/32	1/8	1-23/32	13.9
15.25	15.0	14.7	2AK154	D3153					X	X	X	X		1-3/8	1-19/32	11/32	1/8	1-23/32	14.3
18.25	18.0	17.7	2AK184	D3183					X	X	X	X	X	1-3/8	1-19/32	11/32	1/8	1-23/32	17.4

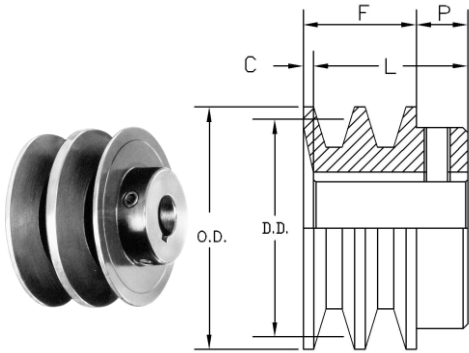
** Bore Size Available in Only Maurey Original Design. Specify Original Maurey Part Number When Ordering.

^ For Standard Keyway Dimension Refer to Page A-2



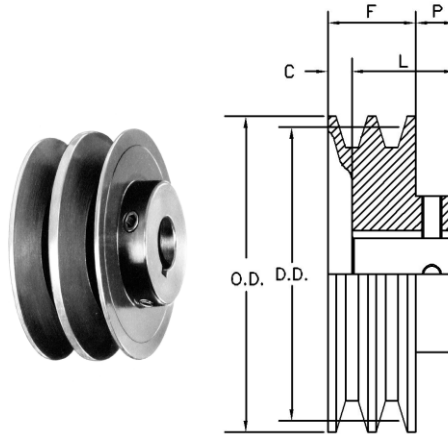
Hi-Q® cast iron sheaves-two grooves for both "A" (4L) and "B" (5L) belts

STYLE 1



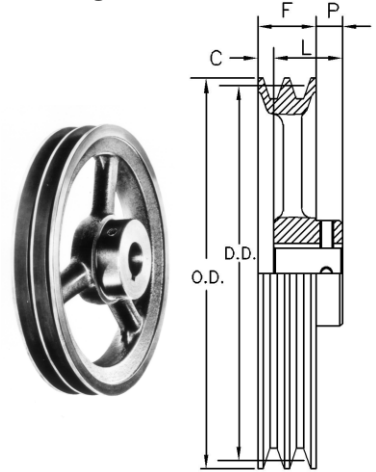
D4250 - 2BK36

STYLE 2



2BK40 - 2BK57

STYLE 3



2BK60 - 2BK190

DIAMETERS IN INCHES			Part Number	Original Maurey Number	STOCK BORES MARKED "X" ^										DIMENSIONS IN INCHES				Overall Length Inches	Approx. Weight in LBS.
Outside	Datum "B" Belt	Datum "A" Belt			1/2	5/8	3/4	7/8	1	1-1/8	1-3/16	1-1/4	1-3/8	1-7/16	F	L	P	C		
2.45	2.1	2.0	D4250	----	X	X	X	X	X	X				1-9/16	2	7/16	0	2	1.2	
2.75	2.4	2.0	D4280	----	X	X	X	X	X	X				1-9/16	2	7/16	0	2	1.0	
2.95	2.6	2.2	2BK28	D4300	X	X	X	X	X	X		X		1-3/4	1-31/32	15/32	1/4	2-7/32	1.9	
3.15	2.8	2.4	2BK30	D4320	X	X	X	X	X	X		X	X	1-3/4	1-31/32	15/32	1/4	2-7/32	2.3	
3.35	3.0	2.6	2BK32	D4340	X	X	X	X	X	X	X	X	X	1-3/4	1-31/32	15/32	1/4	2-7/32	2.6	
3.55	3.2	2.8	2BK34	D4360	X	X	X	X	X	X	X	X	X	1-3/4	1-31/32	15/32	1/4	2-7/32	2.8	
3.75	3.4	3.0	2BK36	D4380	X	X	X	X	X	X	X	X	X	1-3/4	1-31/32	15/32	1/4	2-7/32	3.3	
3.95	3.6	3.2	2BK40	D4400		X	X	X	X	X	X	X	X	1-3/4	1-15/32	15/32	3/4	2-7/32	3.3	
4.15	3.8	3.4	D4420	----		X	X	X	X	X	X	X	X	1-3/4	1-9/16	5/8	13/16	2-3/8	4.1	
4.25	3.9	3.5	2BK45	----		X	X	X	X	X	X	X	X	1-3/4	1-15/32	15/32	3/4	2-7/32	3.3	
4.35	4.0	3.6	D4440	----		X	X	X	X	X	X	X	X	1-3/4	1-9/16	5/8	13/16	2-3/8	4.1	
4.45	4.1	3.7	2BK47	----		X	X	X	X	X	X	X	X	1-3/4	1-15/32	15/32	3/4	2-7/32	3.7	
4.55	4.2	3.8	D4460	----		X	X	X	X	X	X	X	X	1-3/4	1-9/16	5/8	13/16	2-3/8	4.5	
4.75	4.4	4.0	2BK50	D4480		X	X	X	X	X	X	X	X	1-3/4	1-15/32	15/32	3/4	2-7/32	4.1	
4.95	4.6	4.2	2BK52	D4500		X	X	X	X	X	X	X	X	1-3/4	1-15/32	15/32	3/4	2-7/32	4.5	
5.15	4.8	4.4	D4520	----		X	X	X	X	X	X	X	X	1-3/4	1-9/16	5/8	13/16	2-3/8	5.3	
5.25	4.9	4.5	2BK55	----				X	X	X	X	X	X	1-3/4	1-15/32	15/32	3/4	2-7/32	4.5	
5.35	5.0	4.6	D4540	----		X	X	X	X	X	X	X	X	1-3/4	1-9/16	5/8	13/16	2-3/8	6.3	
5.45	5.1	4.7	2BK57	----			X	X	X	X	X	X	X	1-3/4	1-15/32	15/32	3/4	2-7/32	5.1	
5.55	5.2	4.8	D4560	----			X	X	X	X	X	X	X	1-3/4	1-5/8	5/8	3/4	2-3/8	5.2	
5.75	5.4	5.0	2BK60	D4580			X	X	X	X	X	X	X	1-3/4	1-15/32	15/32	3/4	2-7/32	4.9	
5.95	5.6	5.2	2BK62	D4600			X	X	X	X	X	X	X	1-3/4	1-15/32	15/32	3/4	2-7/32	4.8	
6.15	5.8	5.4	D4620	----			X	X	X	X	X	X	X	1-3/4	1-5/8	5/8	3/4	2-3/8	6.1	
6.25	5.9	5.5	2BK65	----				X	X	X	X	X	X	1-3/4	1-15/32	15/32	3/4	2-7/32	5.0	
6.35	6.0	5.6	D4640	----			X	X	X	X	X	X	X	1-3/4	1-5/8	5/8	3/4	2-3/8	6.9	
6.45	6.1	5.7	2BK67	----				X	X	X	X	X	X	1-3/4	1-15/32	15/32	3/4	2-7/32	5.0	
6.55	6.2	5.8	D4660	----			X	X	X	X	X	X	X	1-3/4	1-5/8	5/8	3/4	2-3/8	6.9	
6.75	6.4	6.0	2BK70	D4680			X	X	X	X	X	X	X	1-3/4	1-19/32	11/32	1/2	2-7/32	6.6	
6.95	6.6	6.2	D4700	----			X	X	X	X	X	X	X	1-3/4	1-5/8	5/8	3/4	2-3/8	7.5	
7.15	6.8	6.4	D4720	----				X	X	X	X	X	X	1-3/4	1-5/8	5/8	3/4	2-3/8	7.9	
7.75	7.4	7.0	2BK80	D4780			X	X	X	X	X	X	X	1-3/4	1-19/32	11/32	1/2	2-3/32	7.2	
8.75	8.4	8.0	2BK90	D4880				X	X	X	X	X	X	1-3/4	1-19/32	11/32	1/2	2-3/32	0.4	
8.95	8.6	8.2	D4900	----			X	X	X	X	X	X	X	1-3/4	1-5/8	5/8	3/4	2-3/8	10.5	
9.75	9.4	9.0	2BK100	D4980				X	X	X	X	X	X	1-3/4	1-19/32	11/32	1/2	2-3/32	9.4	
10.75	10.4	10.0	2BK110	D5108				X	X	X	X	X	X	1-3/4	1-19/32	11/32	1/2	2-3/32	10.4	
11.35	11.0	10.6	D5114	----				X	X	X	X	X	X	1-3/4	1-5/8	5/8	3/4	2-3/8	13.5	
11.75	11.4	11.0	2BK120	D5118				X	X	X	X	X	X	1-3/4	1-19/32	11/32	1/2	2-3/32	11.8	
12.75	12.4	12.0	2BK130	D5128				X	X	X	X	X	X	1-3/4	1-19/32	11/32	1/2	2-3/32	14.9	
13.75	13.4	13.0	2BK140	----				X	X	X	X	X	X	1-3/4	1-19/32	11/32	1/2	2-3/32	16.3	
13.95	13.6	13.2	D5140	----				X	X	X	X	X	X	1-3/4	1-3/4	5/8	5/8	2-3/8	18.4	
15.75	15.4	15.0	2BK160	D5158				X	X	X	X	X	X	1-3/4	1-19/32	11/32	1/2	2-3/32	18.0	
18.75	18.7	18.0	2BK190	D5188				X	X	X	X	X	X	1-3/4	1-19/32	11/32	1/2	2-3/32	23.3	

^ For Standard Keyway Dimension Refer to Page A-2